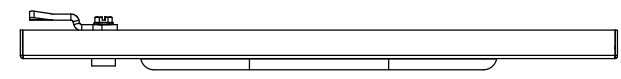
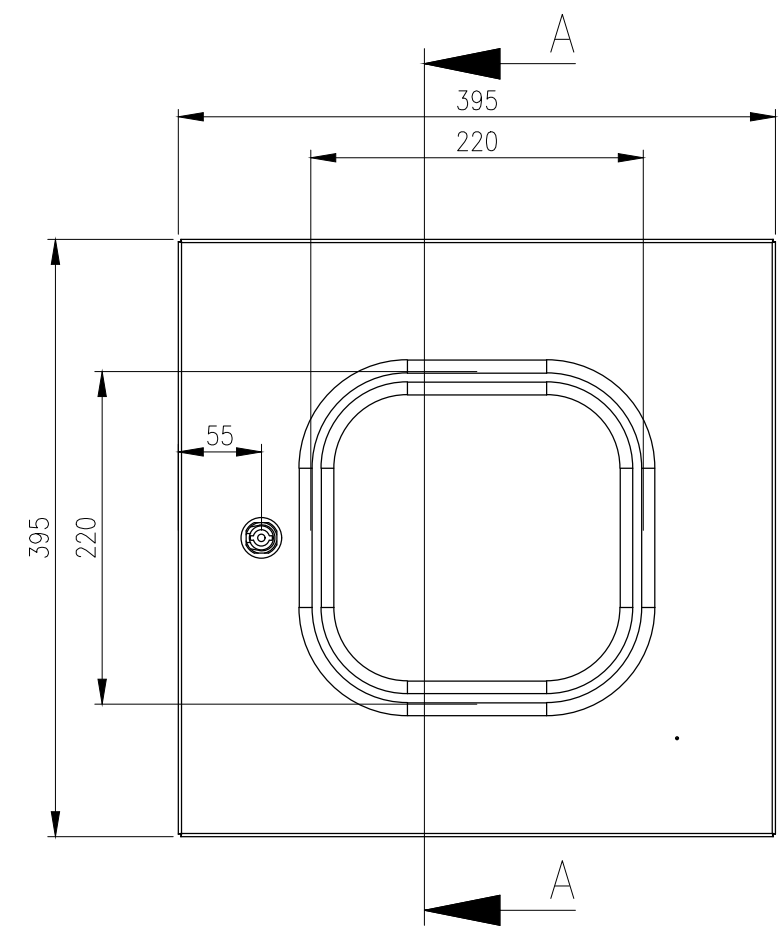


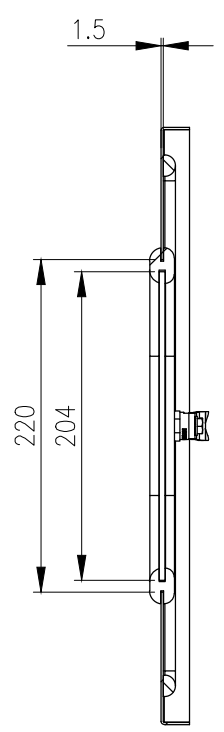
RevNo	Revision note	Date	Signature	Checked
0	GENERAL REVISION		IP	IP



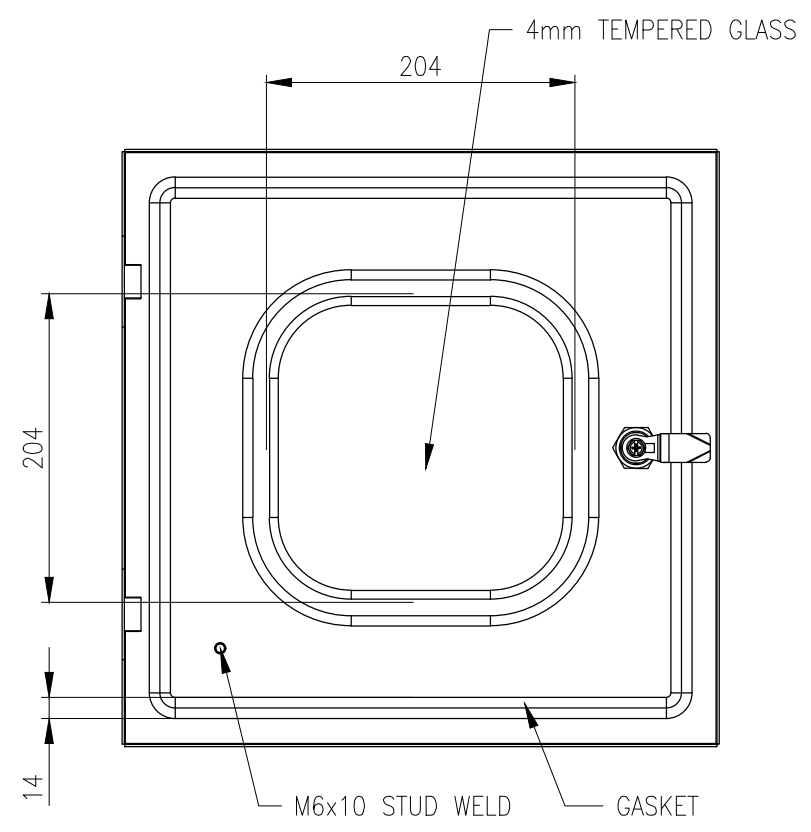
TOP VIEW



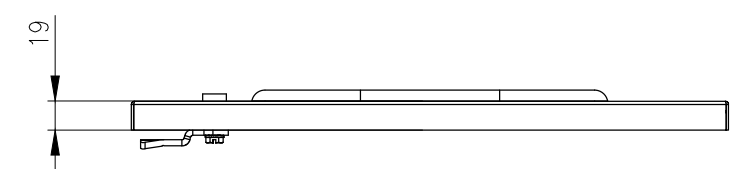
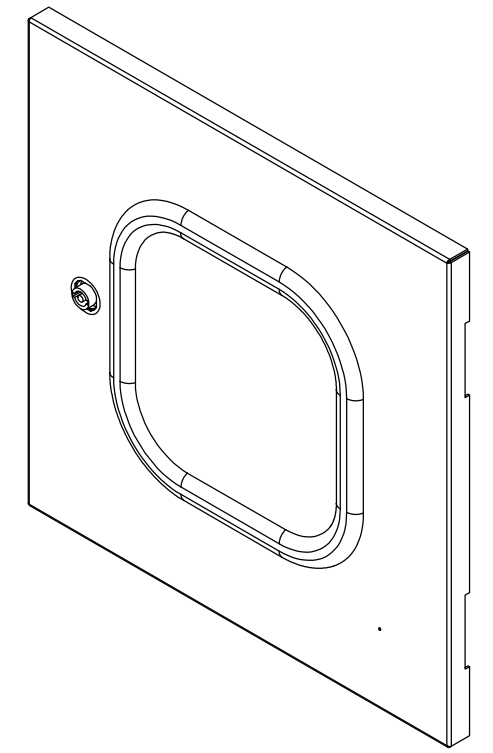
FRONT VIEW



SECTION A-A



REAR VIEW



BOTTOM VIEW

MATERIAL
 DOOR: 1.5mm GALVANISED STEEL SHEET
 SEAL: POLYURETHANE
 SURFACE TREATMENT: AkzoNobel EPOXY POLYESTER
 POWDER-COAT 80-120micron
 COLOUR: RAL7035 GREY

© IP ENCLOSURES 2024.
 THIS DRAWING SHALL NOT BE COPIED OR REPRODUCED
 WITHOUT AUTHORISATION FROM IP ENCLOSURES.
 www.ipenclosures.com.au

Itemref	Quantity	Title/Name, designation, material, dimension etc	Article No./Reference
Designed by IP	Checked by IP	Approved by - date 12/12/24	Filename IP-4040WINDOOR
Date 12/12/24		Scale 1:5	
			400Hx400W STEEL TRANSPARENT DOOR Edition 0 Sheet 1/1