

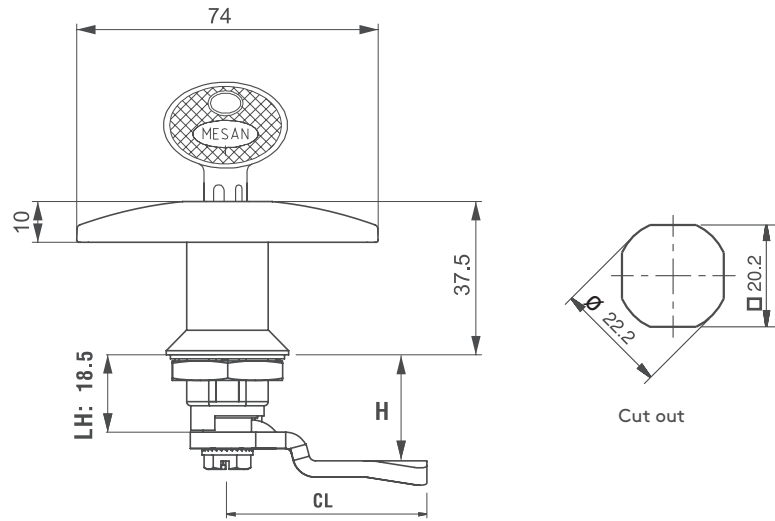
CAM LOCKS

CAM LOCK – T HANDLE

110



- RoHS
- IP 65
- L | R



- Stainless steel version: page 480
- Quarter-turn operation
- Available in all die-cast zinc alloy or with polyamide wing handle and housing
- Optional blind version

MATERIAL
HOUSING: Zamak DIN-EN 1774-ZnAl4Cu1
CAM: Steel or Plastic
GASKET: Rubber

110 1-1-DD-CC
ZAMAK – CHROME



110 1-2-DD-CC
ZAMAK – BLACK COATED



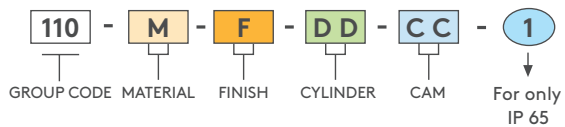
110 2-0-DD-CC
PLASTIC



No cylinder '00'



PRODUCT CODE



MATERIAL		M	FINISH		F
Zamak		1	Chrome		1
			Black coated		2
Plastic		2	No finish		0

CYLINDER	SPECIFICATIONS	DD
	No cylinder	00
	Keyed alike (Stainless steel dust cap)	03
	Keyed differ (Stainless steel dust cap)	32
	Euro key (5333)	05
	CH751 (Stainless steel dust cap)	07

For cams please check pages: 170 - 171