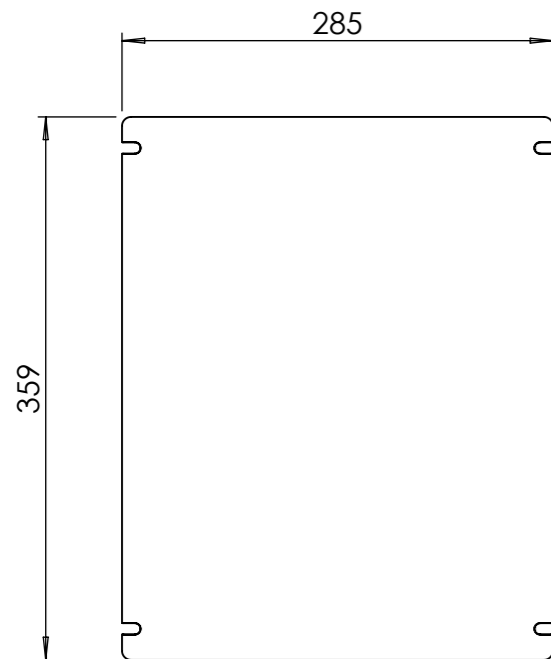
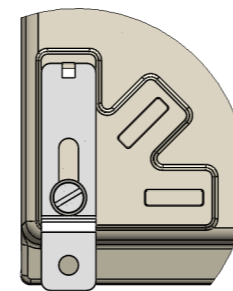
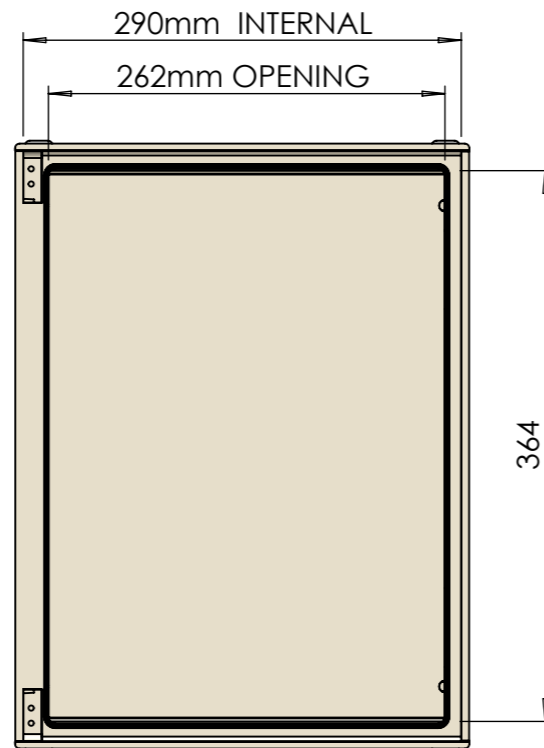


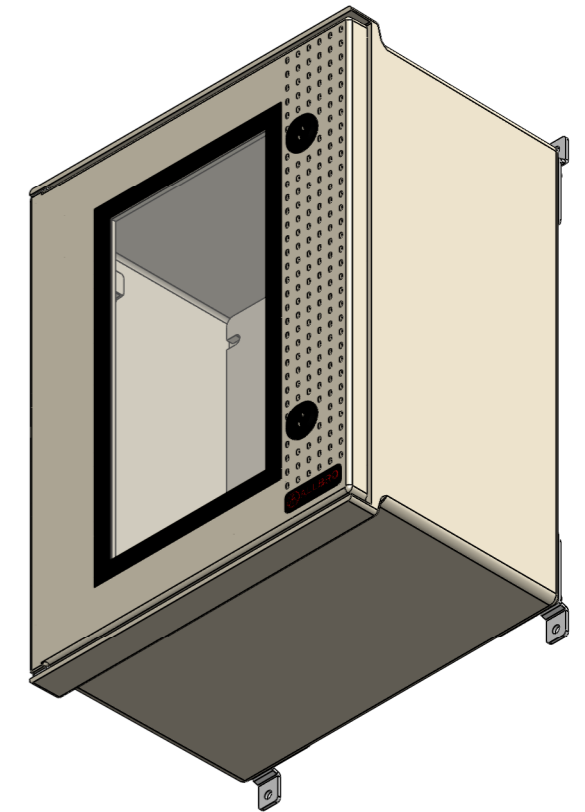
DEVICE PLATE



INTERNAL DIMENSIONS



External adjustable mounting bracket, horizontal, vertical or 45° angles.



ALLBROX No4

- Internal S/S hinges.
- External adjustable mounting bracket, horizontal, vertical or 45° angles.
- Mounting bracket are S/S.
- DIN rail mount with M6 Bolt & Nut.
- The height of the DIN rail is easily adjustable.
- Easy removable lid.
- Device plate are available on request in S/S or SMC
- Material Lid & Base: SMC
- Internal Dimensions: HxWxD 367x290x190 (mm)
- IP 66.



ALL INFORMATION CONTAINED ON THIS DWG. IS THE EXCLUSIVE COPYRIGHT OF ALLBRO INDUSTRIES AND SUCH INFORMATION SHALL NOT BE COPIED OR REPRODUCED WITHOUT PERMISSION

REV No	MODS. DESCRIPTION	MODS. BY	DATE	CHECKED BY	APPROVED BY
3	DIMENSIONAL CHANGE	A.D.W.	29/11/16		
2	DEVICE PLATE REPLACED	A.D.W.	18/08/16		

P.O. BOX 6699, DUNSWART, 1508		
SHEET 1 OF 1	DRAWN BY: A.DE WAAL	DATE: 03/09/2014
A3	CHECKED BY:	DATE:
APPROVED BY:		DATE:

TITLE: ALLBROX NO.4	
BOM No: ALL-No4	REV: 3