

Distributed by **TROPAC**

**telergon**  
gorlan



## ATS Automatic Transfer Switch



[www.telergon.com](http://www.telergon.com)



**gorlan**

# Automatic Transfer Switch

An automatic transfer switch (ATS) is a self-acting device that automatically transfers a power supply from its primary source to a backup source during a power failure or outage. It monitors the power supply and detects outages or fluctuations, switching to the backup system without manual intervention. The main objective of this solution is to ensure the continuous power for critical systems.



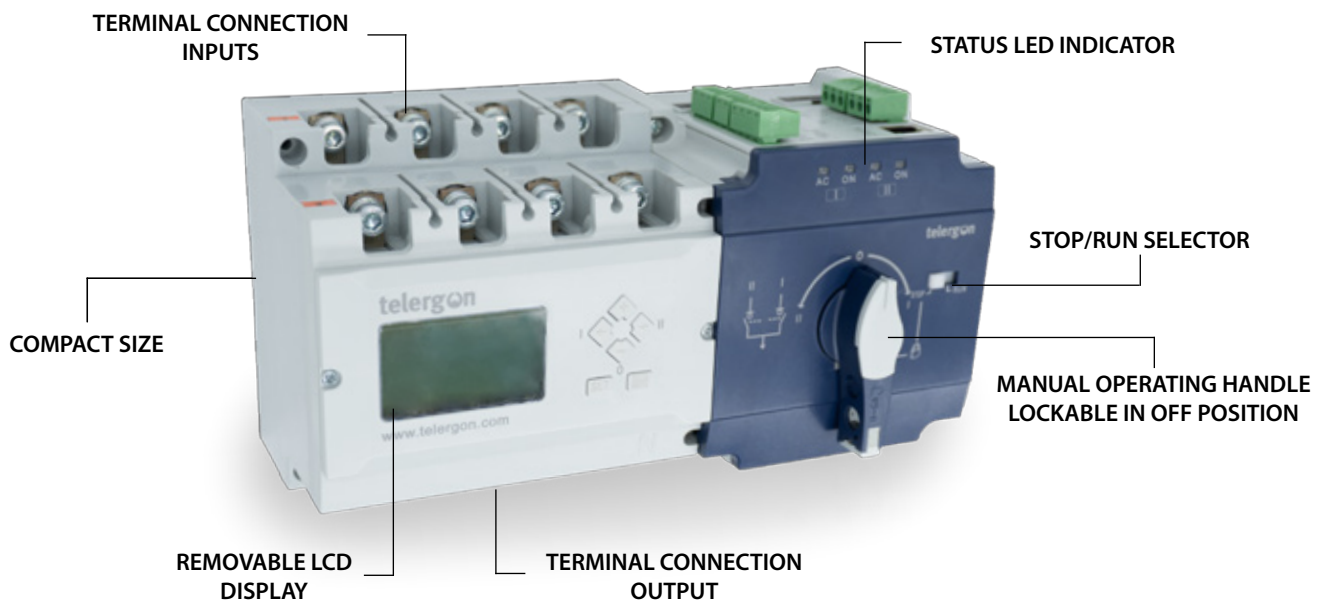
## C1 SERIES





63A – 630A



## C2 SERIES

63A – 630A



-  Maintenance free
-  Easy installation and operation
-  High short-circuit withstand capacity
-  Quick-make and quick-break operation
-  High electrical and mechanical reliability

# Choose your configuration

## Remote operation

- AC-32B
- Easy installation
- Remote control
- Plug & Play



**C1-G Series**

## Automatic transfer

- 3 phase monitor
- Fire-fighting protection
- Generator control
- Auto recovery



**C1-C Series**

## Automatic & programmable

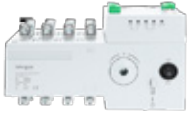
- AC- 33B
- LCD display included
- RS485 for remote communication
- Bidirectional transmission



**C2 Series**

FUNCTIONS	63A - 630A		
	C1-G	C1-C	C2
External 230Vac supply for sources I and II	x		
LED indicator: Source I and II availability. ATS position I or II	x	x	x
Remote control via potential free contacts	x		
Potential free auxiliary contact 1NO for source I and II	x		
Single phase monitoring (phase loss)		x	x
Auto transfer / auto recovery		x	x
Fire-linkage (passive)		x	x
Generator Start/Stop		x	x
Three phase monitoring (voltage protection + frequency protection)		x	x
Source Priority setting		x	x
DC24V aux power input		x	x
LCD display		OPTION	x
RS-485			x
Engine exerciser			x
AC-32B	x	x	
AC-33B			x

## ► C1 SERIES | 3P & 3P+N | 63A-630A



Size	Amp	Connection	Type G		Type C		Display * <sup>3</sup>	Display cover IP66	
			3P	3P+N	1P+N* <sup>2</sup>	3P	3P+N	Code	Code
00	63		C1-00633PSMGB	C1-00633NSMGB	C1-00801NSMCB	C1-00633PSMCB	C1-00633NSMCB	DC1DP01* <sup>1</sup>	DC1VD01
	80		C1-00803PSMGB	C1-00803NSMGB		C1-00803PSMCB	C1-00803NSMCB		
	100		C1-01003PSMGB	C1-01003NSMGB	-	C1-01003PSMCB	C1-01003NSMCB		
	125		C1-01253PSMGB	C1-01253NSMGB	-	C1-01253PSMCB	C1-01253NSMCB		
0	160		C1-01603PSMGB	C1-01603NSMGB	-	C1-01603PSMCB	C1-01603NSMCB		
1	250		C1-02503PSMGB	C1-02503NSMGB	-	C1-02503PSMCB	C1-02503NSMCB		
2	400		C1-04003PSMGB	C1-04003NSMGB	-	C1-04003PSMCB	C1-04003NSMCB		
	630		C1-06303PSMGB	C1-06303NSMGB	-	C1-06303PSMCB	C1-06303NSMCB		

\*<sup>1</sup> Display available only for type C.

\*<sup>2</sup> Single-phase version. For more amperages, consult.

\*<sup>3</sup> Cat 5E Ethernet cable with RJ45 connectors included with the display.

## ► C2 SERIES | 3P & 3P+N | 63A-630A

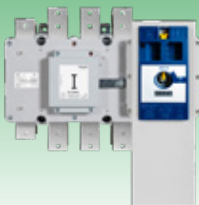


Size	Amp	Connection	1P+N* <sup>2</sup>	3P	3P+N	Shrouds	Display * <sup>3</sup>	Display cover IP66
			Code	Code	Code	Code	Code	Code
00	63		C2-00801NBDDT	C2-00633PBDDT	C2-00633NBDDT	-	DC1DP01	DC1VD01
	80* <sup>2</sup>			C2-00803PBDDT	C2-00803NBDDT	-		
0	100		-	C2-01003PTDDT	C2-01003NTDDT	DC2CU01		
	125		-	C2-01253PTDDT	C2-01253NTDDT			
1	160		-	C2-01603PTDDT	C2-01603NTDDT	DC2CU11		
	250		-	C2-02503PTDDT	C2-02503NTDDT			
2	400		-	C2-04003PTDDT	C2-04003NTDDT	DC2CU21		
	630		-	C2-06303PTDDT	C2-06303NTDDT			

\*<sup>2</sup> Single-phase version. For more amperages, consult.

\*<sup>3</sup> Cat 5E Ethernet cable with RJ45 connectors included with the display.

### S5F Series



### Other motorized solutions

125A-3150A  
3P & 3P+N  
120Vac & 230Vac  
Modbus available

### CCF Series



## TECHNICAL DATA



According to IEC 60947-6-1

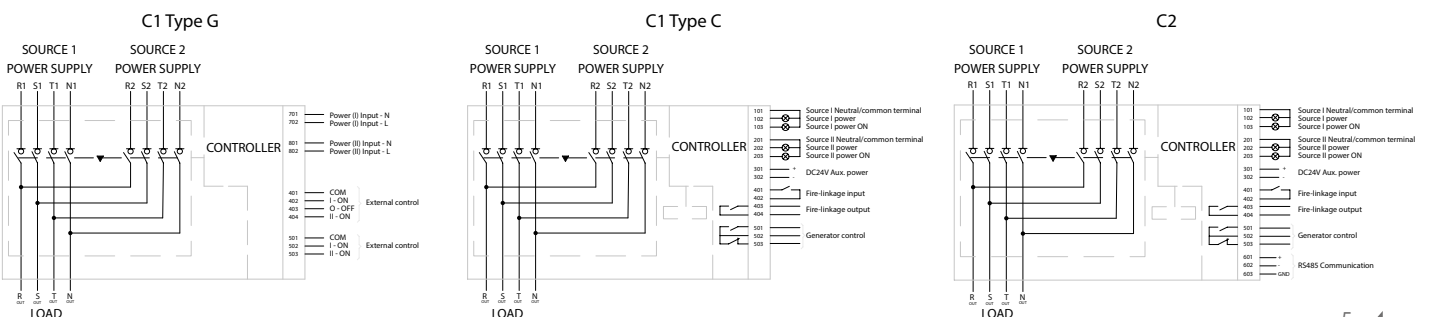
C1 SERIES		00				0	1	2	
		63	80	100	125	160	250	400	630
Thermal current (Ith)	A	63	80	100	125	160	250	400	630
Rated insulation voltage (Ui)	V	690							
Rated impulse withstand voltage (Uimp)	kV	8							
Rated operational current (Ie)									
AC-31B 415V	A	63	80	100	125	160	250	400	630
AC-32B 415V									
Rated short-circuit making capacity (peak value) (Icm)	kA	8				17		26	
Rated conditional short-circuit current (Icc)	kA	120							
Rated control voltage	Vac	230V / 50Hz							
Operating transfer time	s	1,7				2,3	3,1	2,1	
Contact transfer time	s	0,7				1	1,2	0,8	
TSE Class		PC class AC-32B							
Operation cycles	cycles	6.000				6.000	6.000	4.000	3.000
Maximum weight	kg	3,8				8,5	11,5	22,6	
Tightening torque	Size	M6				M8	M10	M12	
	Nm	3				6	10	14	
Connection capacity. Cu cable.	mm <sup>2</sup>	50				70	120	240	2x240

According to IEC 60947-6-1

C2 SERIES		00		0		1	2		
		63	80	100	125	160	250	400	630
Thermal current (Ith)	A	63	80	100	125	160	250	400	630
Rated insulation voltage (Ui)	V	690							
Rated impulse withstand voltage (Uimp)	kV	8							
Rated operational current (Ie)									
AC-31B 415V	A	63	80	100	125	160	250	400	630
AC-32B 415V									
AC-33B 415V									
Rated short-circuit making capacity (peak value) (Icm)	kA	15		20		30		50	
Rated short-time withstand current 0,2s (Icw)	kA	10*1		10		10		25	
Rated conditional short-circuit current (Icc)	kA	120							
Rated control voltage	Vac	230V / 50Hz							
Operating transfer time	s	1,2		1,25		2,1		3,3	
Contact transfer time	s	0,6		0,6		1		1,5	
ATSE Class		PC Class AC-33B							
Operation cycles	cycles	6.000		6.000		6.000		4.000	3.000
Maximum weight	kg	2,5		4,3		9		22,5	
Tightening torque	Size	M5	M5	M6	M6	M8	M8	M10	M10
	Nm	2	2	3	3	6	6	10	10
Connection capacity. Cu cable.	mm <sup>2</sup>	25	25	50	50	120	120	240	2x185
Connection capacity. Cu Bar	mm <sup>2</sup>	-	-	4x20	4x20	5x25	5x25	10x40	10x40

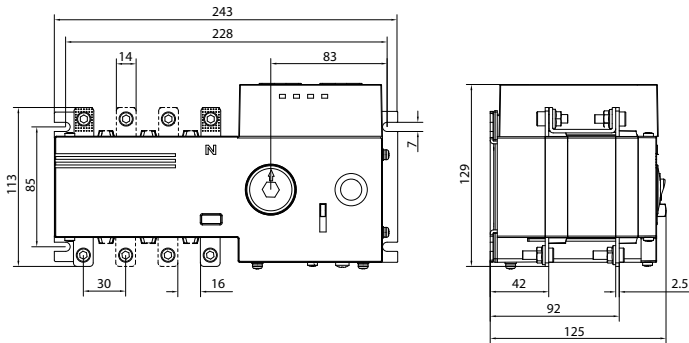
\*1 30ms

## CONNECTION DIAGRAM



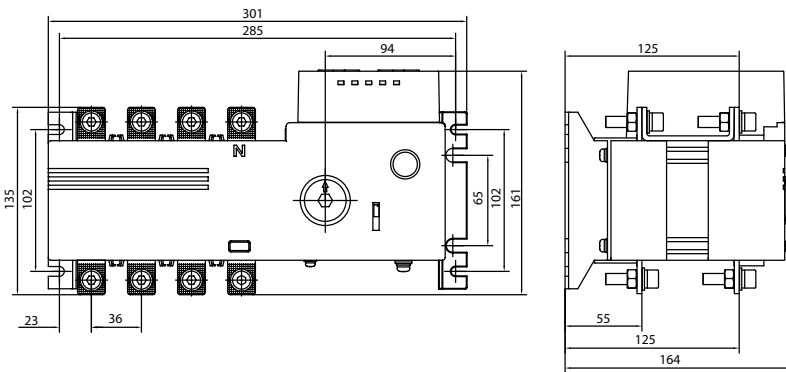
## ► C1 SERIES | DIMENSIONS

### Size 00 (63A-80A-100A-125A)

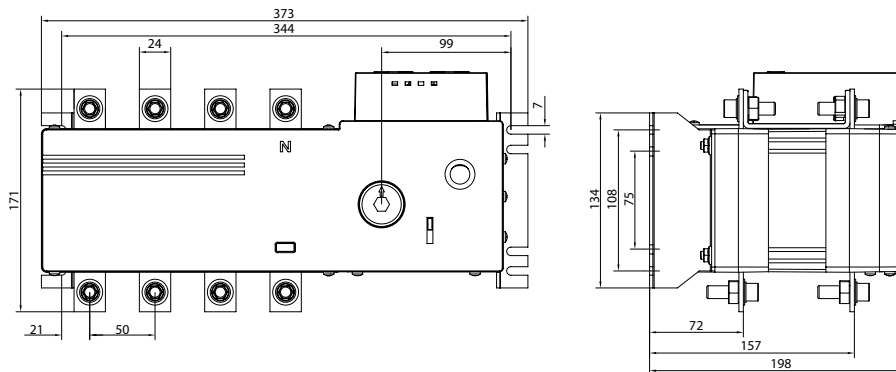


In the single-phase version, only terminals L1 and N are included.

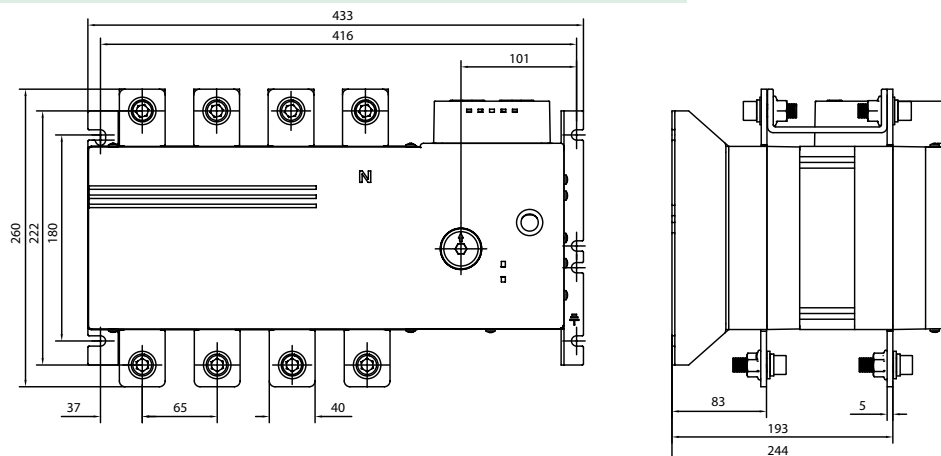
### Size 0 (160A)



### Size 1 (250A)

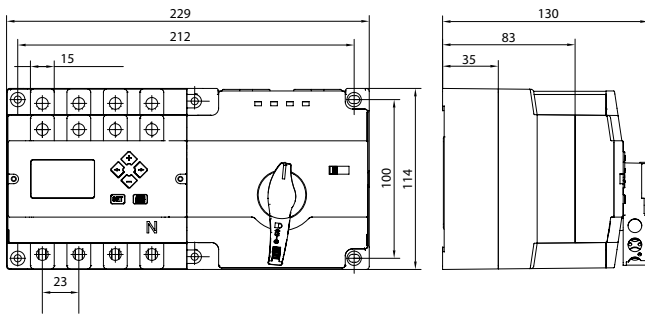


### Size 2 (400A-630A)



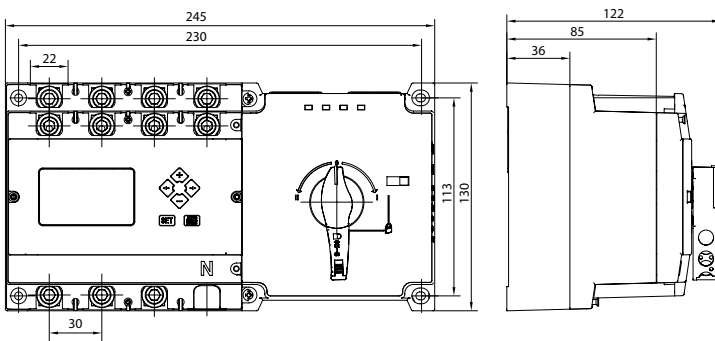
## ► C2 SERIES | DIMENSIONS

### Size 00 (63A-80A)

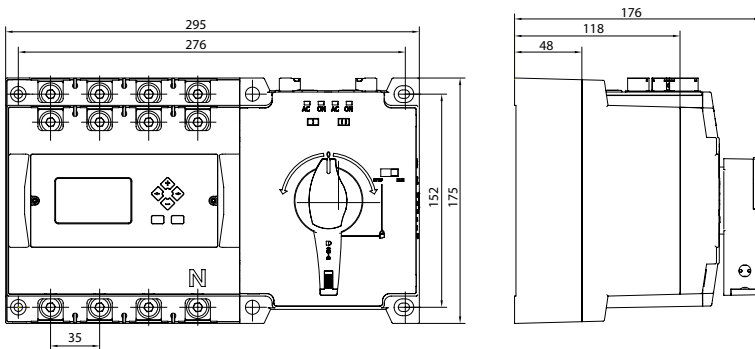


In the single-phase version, only terminals L1 and N are included.

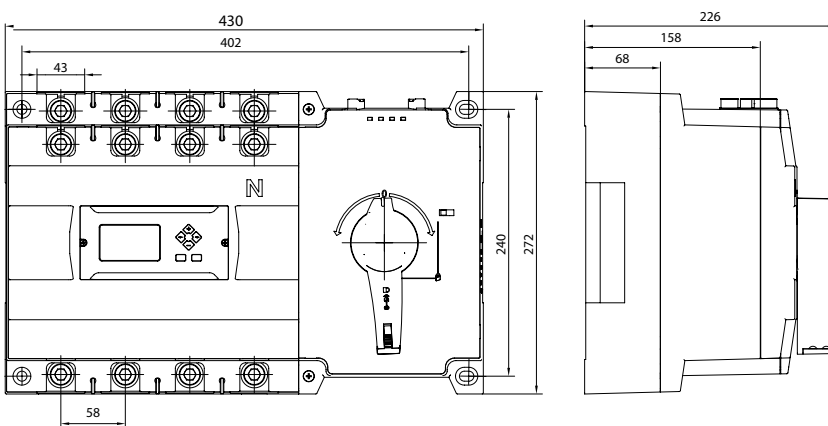
### Size 0 (100A-125A)



### Size 1 (160A-250A)



### Size 2 (400A-630 A)



## ▶ CTRL1 SERIES | KEY FEATURES



- C1 type C, from 63A to 630A.
- Suitable for environments subject to mechanical risks and dust hazards.
- Protection degree: IP66.
- Colour: RAL 7035.
- Closing plate: Bottom.
- Connection: top (input terminals) and bottom (output terminals)
- Protection: Polycarbonate protection cover.
- Material: 2 mm thick steel.
- Coating: Epoxy resin.
- Mounting: Wall.

## ▶ CTRL1 SERIES | 3P & 3P+N | 63A-630A



Size	Amp	Connection	Type C		Display * <sup>3</sup>	Display cover IP66
			1P+N* <sup>2</sup>	3P+N	Code	Code
00	63		CTRL1C00801NSBM	CTRL1C00633NSBM	DC1DP01* <sup>1</sup>	DC1VD01
	80			CTRL1C00803NSBM		
	100		-	CTRL1C01003NSBM		
	125		-	CTRL1C01253NSBM		
0	160		-	CTRL1C01603NSBM		
1	250		-	CTRL1C02503NSBM		
2	400		-	CTRL1C04003NSBM		
	630		-	CTRL1C06303NSBM		



\*<sup>2</sup> Single-phase version. For more amperages, consult.

\*<sup>3</sup> Cat 5E Ethernet cable with RJ45 connectors included with the display.

## ▶ CTRL2 SERIES | KEY FEATURES



- C2 type D, from 63A to 630A.
- Suitable for environments subject to mechanical risks and dust hazards.
- Protection degree: IP65.
- Colour: RAL 7035.
- Closing plate: Bottom.
- Display installed on door with protective cover.
- Connection: ≤250A top and bottom, ≥400A bottom (Connection terminals are brought to the bottom of the enclosure via copper connection plates).
- Protection: 63-80Amp flange connection  
100-250Amp shrouds.  
400-630Amp polycarbonate protection plate.
- Inputs, outputs and auxiliary contacts pre-wired to terminals mounted on DIN rail.
- Material: 2 mm thick steel.
- Coating: Epoxy resin.
- Mounting: Wall.

## ▶ CTRL2 SERIES | 3P & 3P+N | 63A-630A



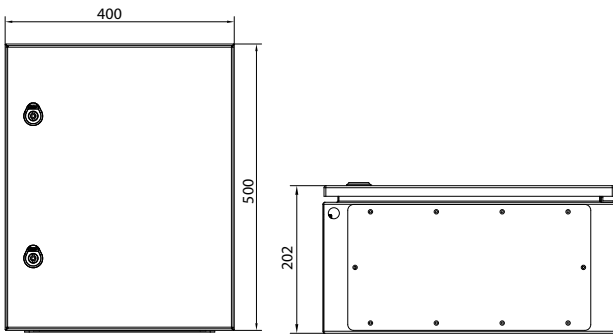
Size	Amp	Connection	1P+N*2	3P+N	Shrouds	Display *3	Display cover IP66
			Code	Code	Code	Code	Code
00	63		CTRL2C00801NBBN	CTRL2C00633NBBN	-	DC1DP01	DC1VD01
	80			CTRL2C00803NBBN	-		
0	100		-	CTRL2C01003NTBN	DC2CU01		
	125		-	CTRL2C01253NTBN			
1	160		-	CTRL2C01603NTBN	DC2CU11		
	250		-	CTRL2C02503NTBN			
2	400		-	CTRL2C04003NTBO	DC2CU21		
	630		-	CTRL2C06303NTBO			

\*2 Single-phase version. For more amperages, consult.

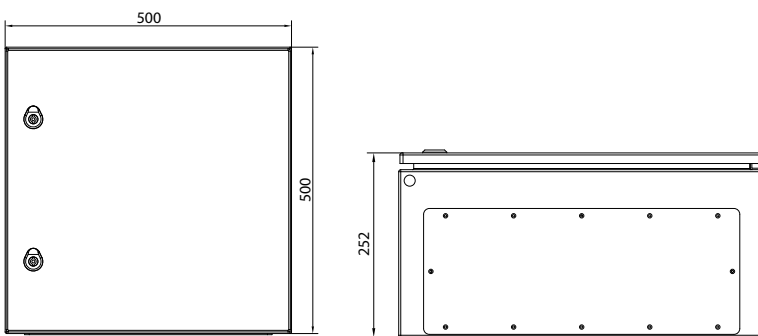
\*3 Cat 5E Ethernet cable with RJ45 connectors included with the display.

## ▶ CTRL1 SERIES | DIMENSIONS

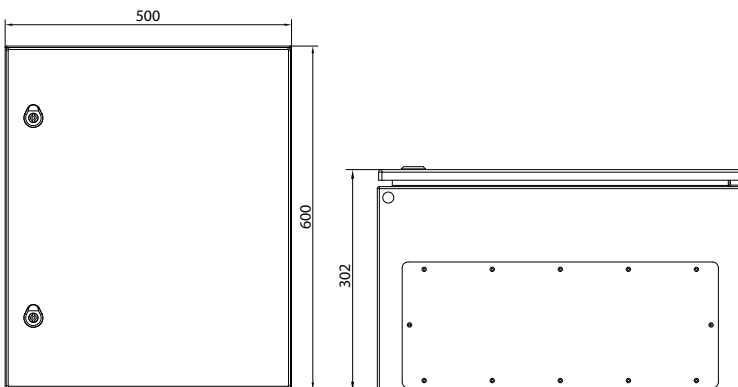
### Size 00



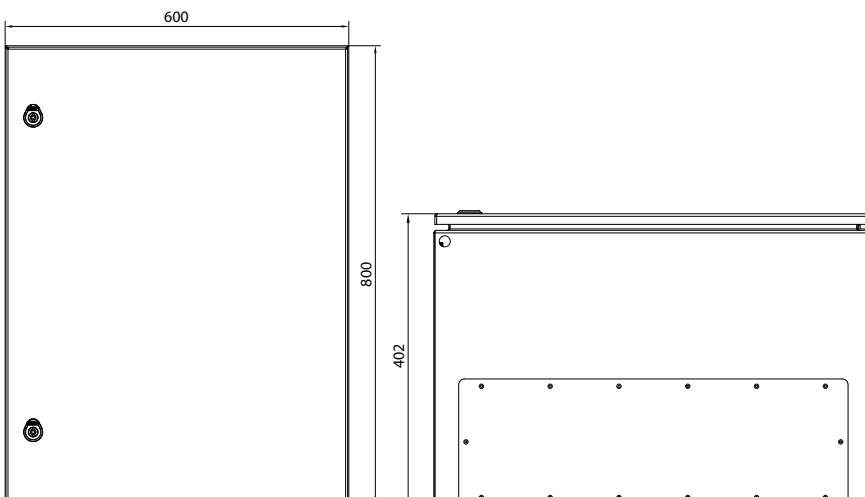
### Size 0



### Size 1

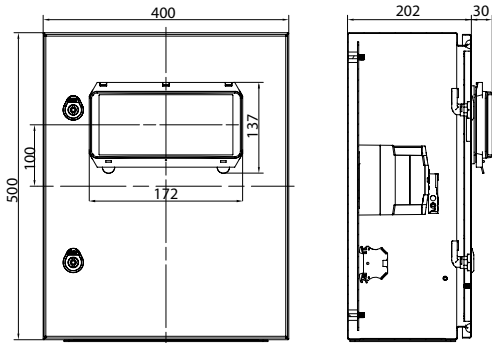


### Size 2

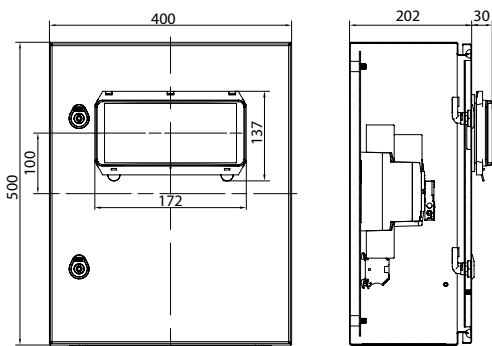


## ▶ CTRL2 SERIES | DIMENSIONS

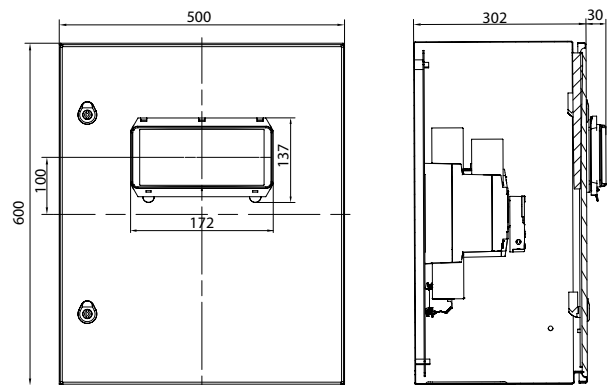
Size 00



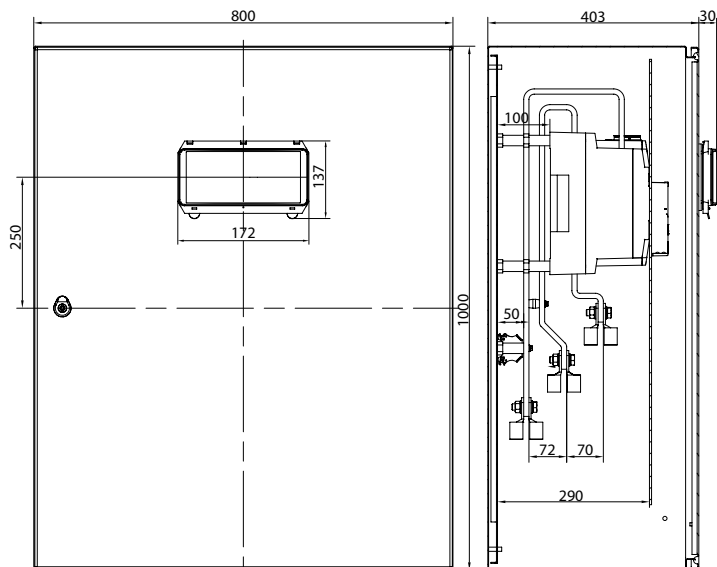
Size 0



Size 1



Size 2



## Technical Sales Support

1300 876 722

[estimating@tropac.com.au](mailto:estimating@tropac.com.au)

[WWW.TROPAC.COM.AU](http://WWW.TROPAC.COM.AU)

### Head Office

QLD: 19-27 Fred Chaplin Circuit, Bells Creek QLD 4551

### Branch Locations

NSW: Unit 3/10 George Young St, Auburn NSW 2144

VIC: 193 O'Herns Rd, Epping VIC 3076

Version 1.0.0

© Copyright 2024 Tro Pacific Holdings Pty Ltd t/a TROPAC.

All rights reserved.