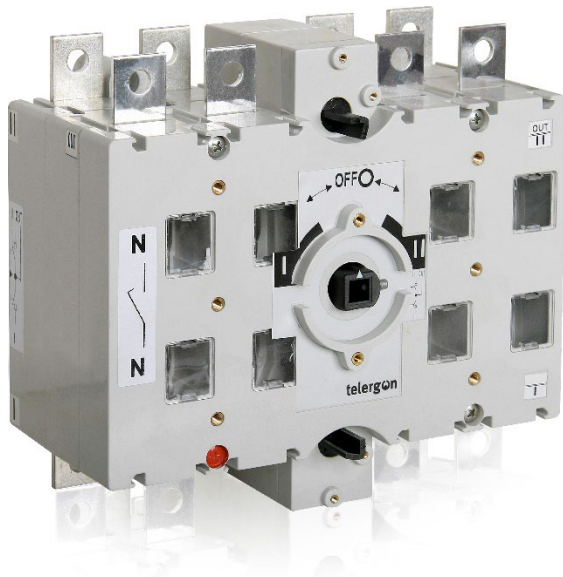


Changeover switch base mounting

Model CCF – 3P+N – 630A + UM-C2A230Z



Indicative picture

Electrical data (according to IEC 60947-3)

Thermal current I_{th} (-30 to 50 °C)			630A
Rated insulation voltage U_i (V)			1000
Rated impulse withstand voltage U_{imp} (kV)			12
Rated operational current I_e (A)			
Voltage (C)	Category of operation	I_e	
400 V	AC21A	630	
	AC22A	630	
500 V	AC21A	630	
	AC22A	630	
690 V	AC21A	630	
	AC22A	500	

** Please consult for other voltages and/or category of operation

Short-circuit behaviour

Short-circuit making capacity (peak value)	I _{cm}	22kA
Short-time withstand current (1 sec) (rms)	I _{cw}	13kA

Connection capacity

Bar (Thickness / Width) (mm)	2x6/45
Rigid cable (mm ²)	2x240
Max. Connecting copper bar (mm)	45
Tightening torque (N·m)	45

Mechanical data

Minimum number of operations (as per standard) without load	4000
Maximum weight (kg)	12,6

Standards

IEC 60947-1&3



Quality Telergon

ISO 9001 & 14001



Testing as per IEC 60947- 3 Approvals

Austrian Institute of Technology



Codes

Case size	Poles	Switch code	Accessories & codes	
Size 2	3P+N	CCF06303NS0	Direct handle	DCCLI21
			Panel handle	DCCLA21
			Auxiliary contact	D5LAU02
			Terminal shrouds	DM2CU23 (Pos. I+II)
				DCCCU22 (Output)
			Motorized Unit	UM-C2A230Z

You will find detailed information about our products on our web site www.telergon.com



Changeover switch with overlapped contacts
CCF06303NS0 + UM-C2A230Z

TELERGON, SAU
Data subject to change without
notice (printed: 17/12/2025)

UM technical information (according to IEC 60947-3)



Operational torque	Nm	30
Voltage supply	V	230Vac
Operating voltage range	ΔV	0,95 V to 1,10V
Cable of voltage supply	mm ²	1,5 - 2,5
Cable section area input & MODBUS signals	mm ²	0,5 - 1,5
Cable section area outputs	mm ²	0,5 - 1,5
Inrush current	A	1,5
Use current (I _{rms})	mA	45
Use current (I _{max})	mA	137
Protection Fuse	A	1
Operating angle		-70°/0/70° (I-0-II)
Number of UM operations	Cycles	5000
Operations frequency (0 - I - 0 - II - 0) (according to IEC 60947-3)	Cycles/h	60
Working temperature range	°C	-25°C ... +55°C
Transportation and storage temperature		-40°C ... + 70°C
UM weight	Kg	1,8

EMC TABLE

Immunity					
Test	Standard	According to standard UNE/EN 61000	According to standard IEC 60947-6	Results achieved	Values achieved in tests
Electrostatic discharges	EN 61000-4-2	Special, B	Special, A	Special, A	±8KV air discharge ±4KV equipment discharge
Electromagnetic H.F. field	EN 61000-4-3	Level 3, A	Level 3, A	Level 3, A	10V/m. from 80MHz to 1 GHz
Fast transients (Burst)	EN 61000-4-4	Level 3, B	Level 3, A	Level 4, A	±4KV power supply, freq. Rep. 2,5kHz ±2KV signal supply, freq. Rep 5kHz
Fast transient (surge discharge)	EN 61000-4-5	Level 3, B	Level 3, A	Special, A	±4KV power supply L1-L2 Generator impedance 2Ω (wave 1,2/50 ms)
Conducted disturbances	EN 61000-4-6	Level 3, A	Level 3, A	Level 3, A	10V supply and signal
Electromagnetic field, industrial frequency	EN 61000-4-8	Level 4, A	-	Level 4, A	Field intensity 30A/m
Voltage dips, interruptions and voltage variations	EN 61000-4-11	Criterion B	-	Criterion A	30% Un - 1000 ms
		Criterion C	-	Criterion A	60% Un - 1000 ms
		Criterion C	-	Criterion B	95% Un - 5000 ms
Emission					
Test	Standard	According to standard UNE/EN 61000	According to standard IEC 60947-6	Results achieved	Values achieved in tests
Emission of harmonic current	EN 61000-3-2	Level 3	Level 3	Level 3	0,02A total current (manual mode)
		Level 3	Level 3	Level 3	0,04A total current (automatic mode)
Unwanted voltage	EN 55011	Level 3	Level 3	Level 3	Qualified
Radiated emission	EN 55011	Level 3	Level 3	Level 3	Qualified

NOTE: The installation of this device in a domestic environment can cause radiofrequency interference

EN 61000 is equivalent to IEC 61000 - EN 55011 is equivalent to CISPR11

CRITERION A: Normal service behaviour in determined limits

CRITERION B: Transient alteration of the service. The appliance gets back to the normal performing without the intervention of the operator

Test level 3: Typical industrial environment, without special installation measures

Test level 4: Severe industrial environment

Special level: Level of higher electromagnetic severe environment

You will find detailed information about our products on our web site www.telergon.com

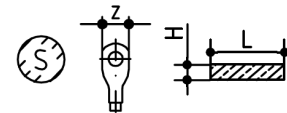
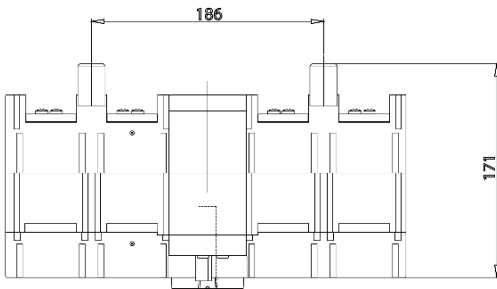
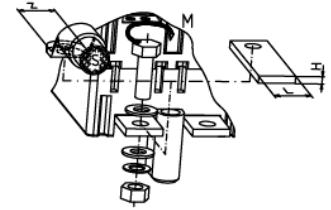
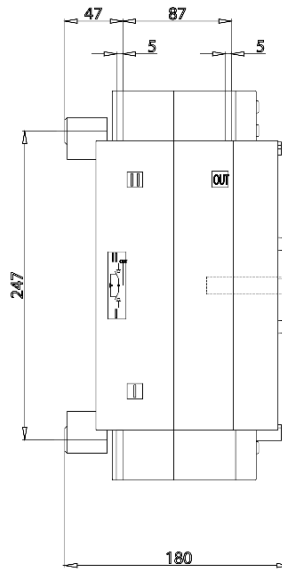
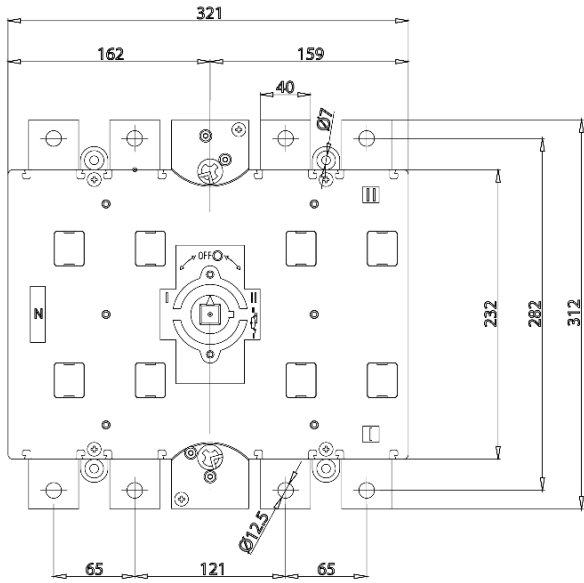


Changeover switch with overlapped contacts
CCF06303NS0 + UM-C2A230Z

TELERGON, SAU
Data subject to change without
notice (printed: 17/12/2025)

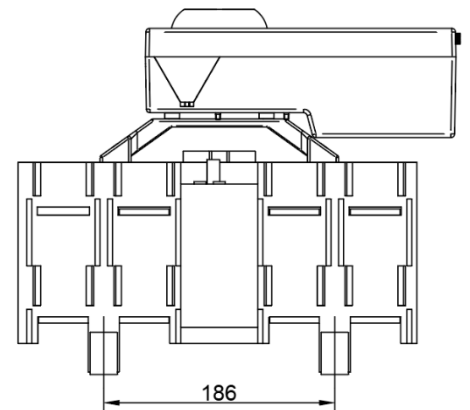
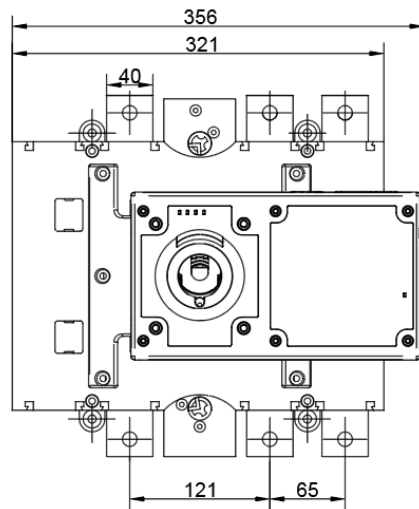
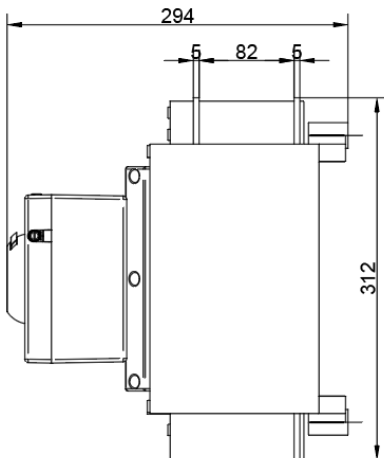
Distributed by TROPAC

Changeover switch CCF06303NS0



S max (Cu) mm ²	Z max	H max (Cu) mm	L max (Cu) mm	M
2x240	45	2x6	45	M12 45

Full set (CCF06303NS0 + UM-C2A230Z)



You will find detailed information about our products on our web site www.telergon.com



Changeover switch with overlapped contacts
CCF06303NS0 + UM-C2A230Z

TELERGON, SAU
Data subject to change without
notice (printed: 17/12/2025)